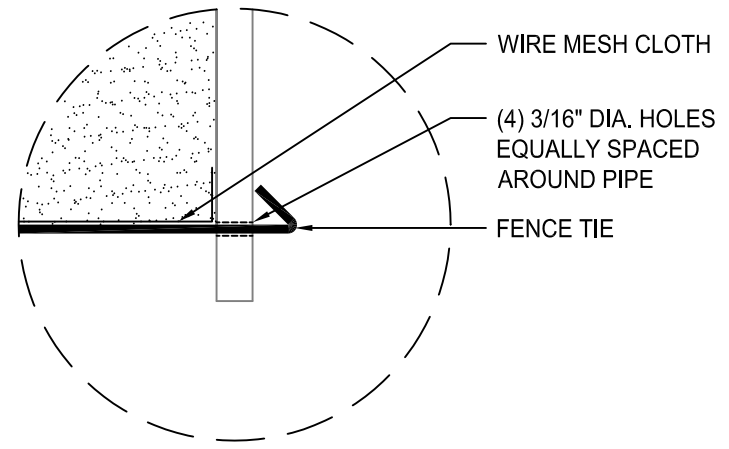
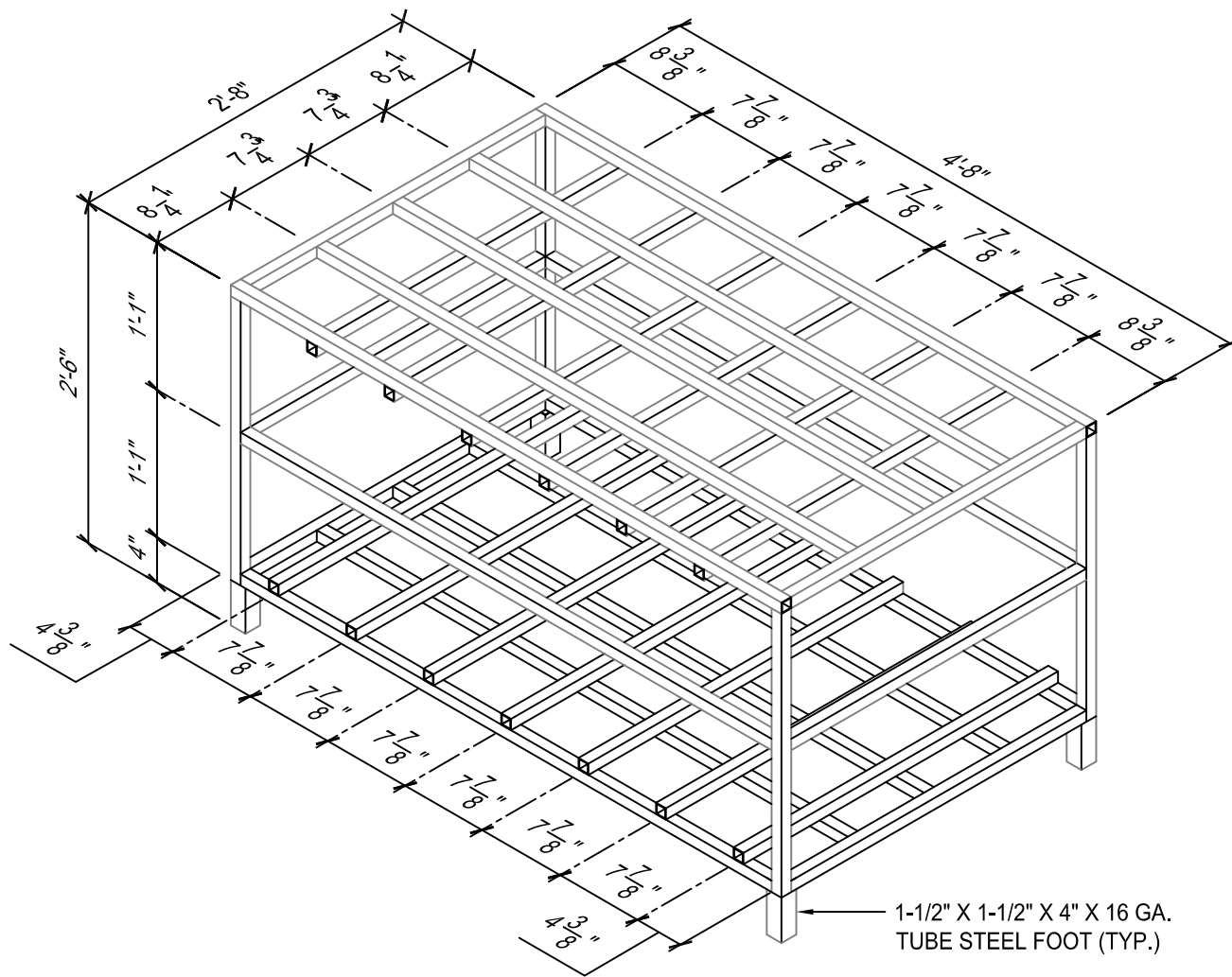


PLAN





NOTES:

1. ALL MEMBERS TO BE 1" X 1" X 16 GA. TUBE STEEL UNLESS OTHERWISE NOTED.
(OPTION, 1" X 1" X 16 GA. TUBE STEEL MAY BE SUBSTITUTED WITH #5 REBAR)
2. RACK TO BE WELDED THROUGHTOUT.
3. GRIND ALL WELDS SMOOTH.
4. PAINT RACK WITH RUST PROTECTIVE PAINT PER MANUFACTURE'S SPECIFICATION.

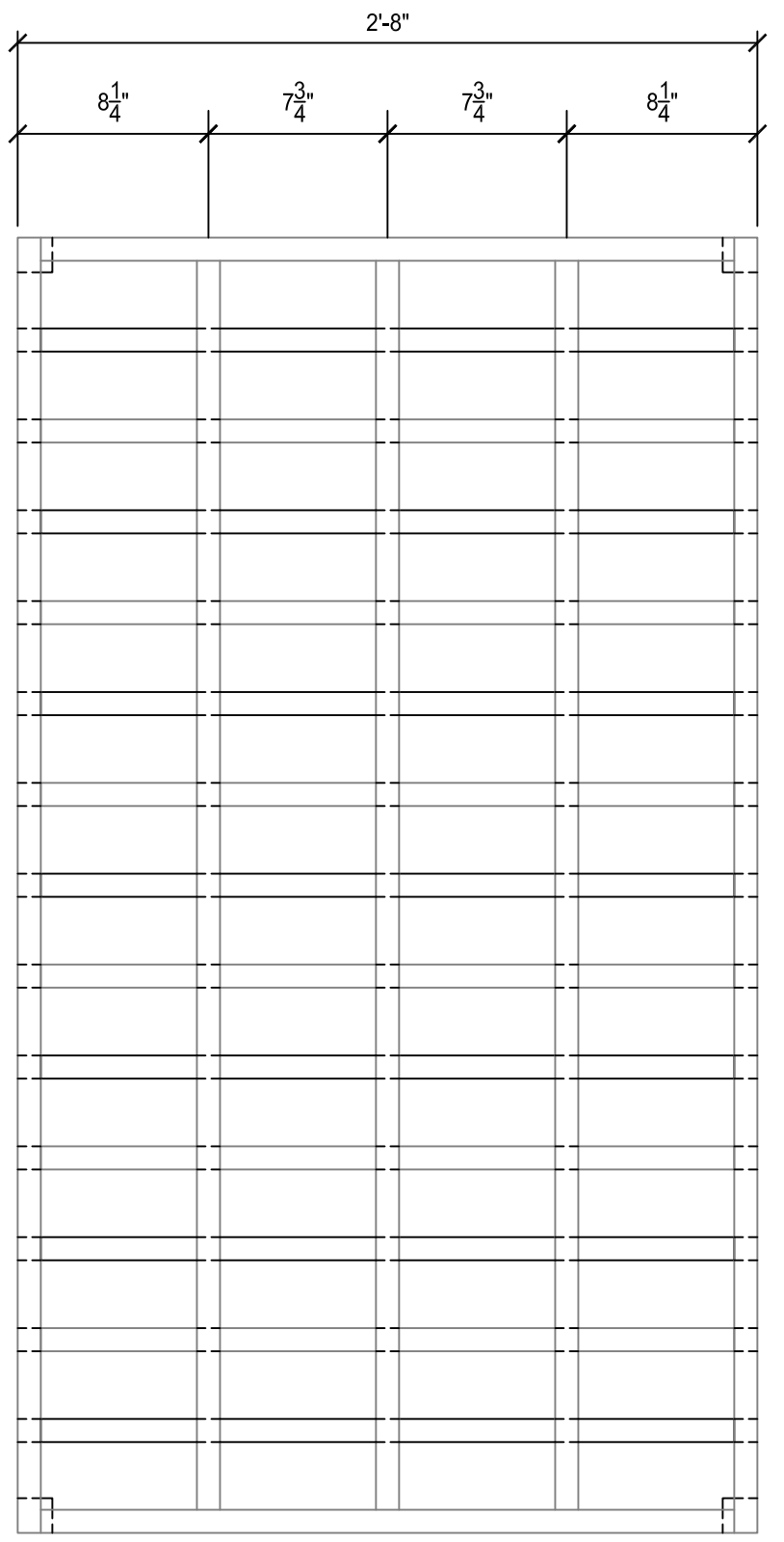
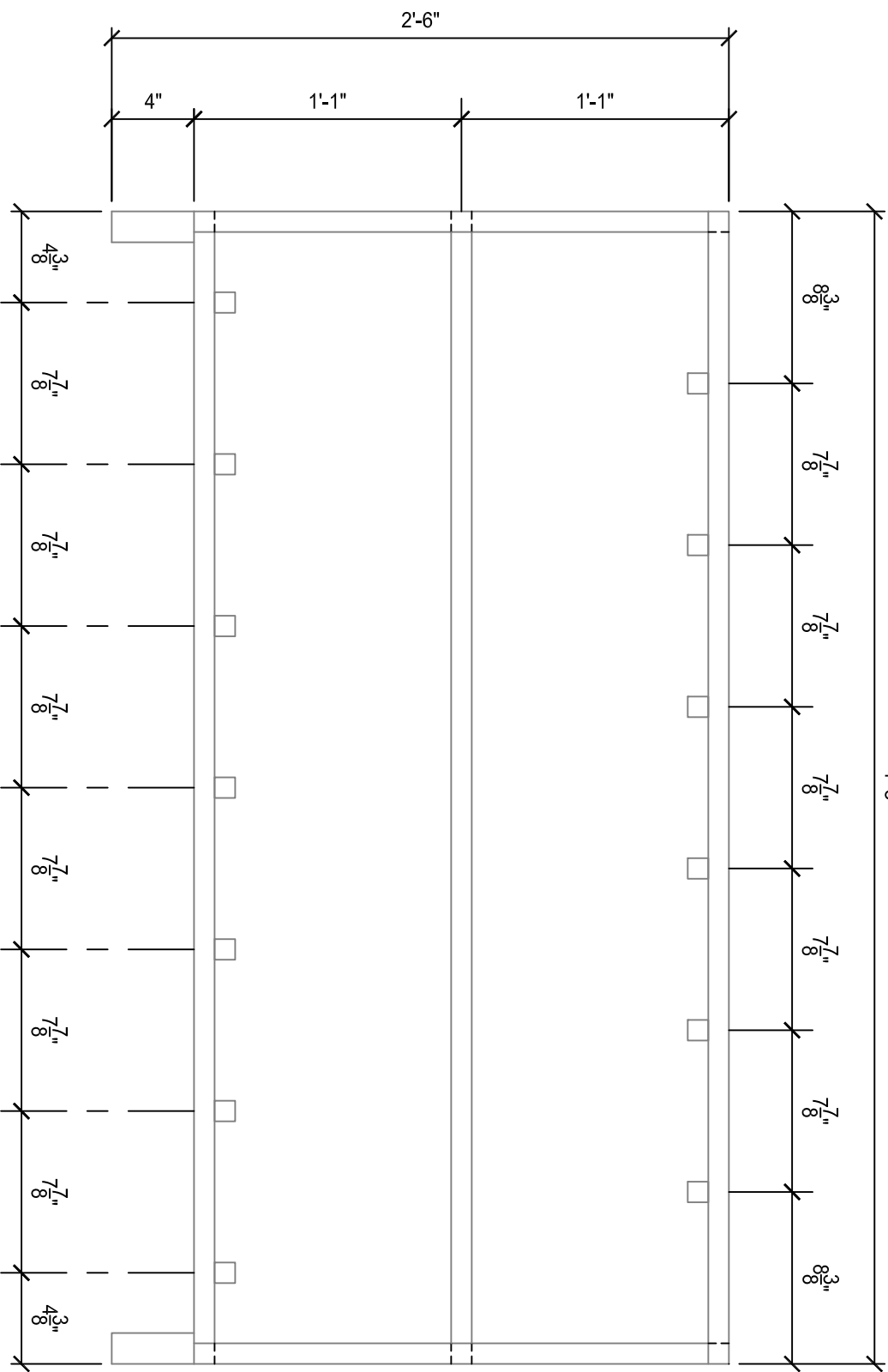


FLOOD CONTROL DISTRICT OF MARICOPA COUNTY
PLANNING & PROJECT MANAGEMENT DIVISION
LANDSCAPE ARCHITECTURE BRANCH

TALL POT GROWING RACK

REVISION DATE: 5-17-2011

SHEET 1 OF 2



- NOTES:
1. ALL MEMBERS TO BE 1" X 1" X 16 GA. TUBE STEEL UNLESS OTHERWISE NOTED. (OPTION, 1" X 1" X 16 GA. TUBE STEEL MAY BE SUBSTITUTED WITH #5 REBAR)
 2. RACK TO BE WELDED THROUGHOUT.
 3. GRIND ALL WELDS SMOOTH.
 4. PAINT RACK WITH RUST PROTECTIVE PAINT PER MANUFACTURE'S SPECIFICATION.

